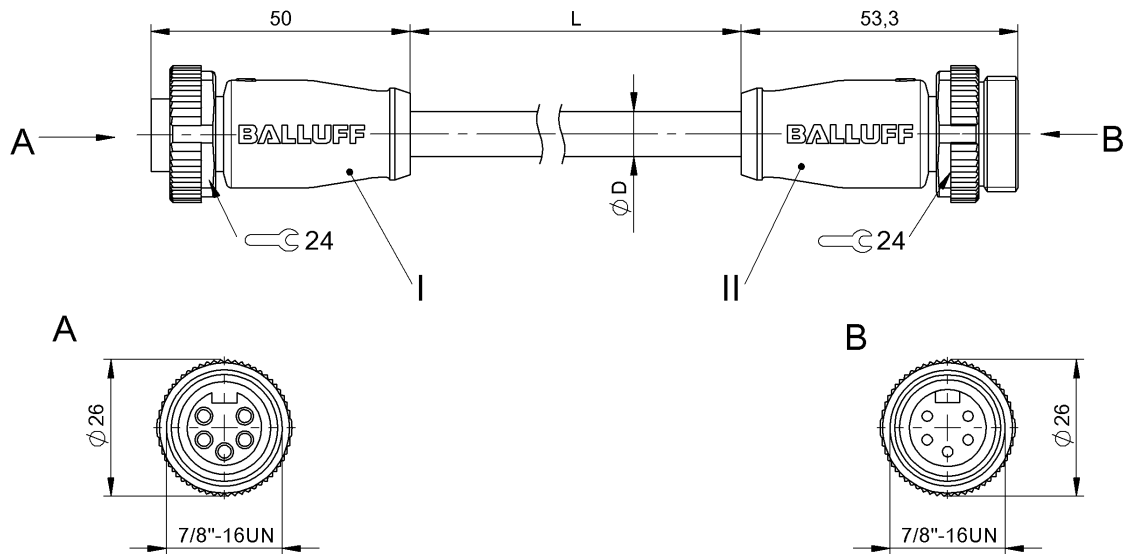


Double-Ended Cordsets
BCC A315-A315-30-335-VX45W6-400
Order Code: BCC0H90

BALLUFF



Basic features

Approval/Conformity	CE cULus WEEE
---------------------	---------------------

Electrical connection

Cable	PVC Yellow, 40 m
Cable diameter D	12.58 mm ±0.25 mm
Conductor cross-section	16 AWG
Connection 1	7/8"-Female, straight, 5-pin
Connection 2	7/8"-Male, straight, 5-pin
Number of conductors	5
System	Molded/Molded

Electrical data

Cable rated voltage AC max.	600 V
Cable rated voltage DC max.	600 V
Operating voltage Ub	300 VDC / 300 VAC
Operating voltage Ub 3-phase network	277/480V AC +/- 15%
Rated current (40 °C)	9.0 A

Remarks

Bulk cable: PVC UL listed, 16/5 STOOW/STOOW CSA 105°C 600 V
 Enclosure rating per IEC 60529, only in screwed state with the associated mating piece.

Environmental conditions

Cable temperature, fixed routing	-40...105 °C
IP rating	IP67, IP68/IP67, IP68

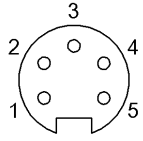
Material

Cable jacket, material	PVC
Material contact carrier	PUR/PUR
Material contacts	Brass/Brass
Material cover nut	Die-cast zinc/Die-cast zinc
Material grip	PUR/PUR

Mechanical data

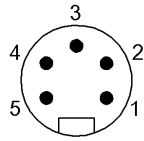
Cable jacket, color	Yellow
Cable length L	40.00 m
Tightening torque pigtail	1.5 Nm/1.5 Nm

Connector Drawings



I

PIN 1: black
PIN 2: blue
PIN 3: green/yellow
PIN 4: brown
PIN 5: white



II

PIN 1: black
PIN 2: blue
PIN 3: green/yellow
PIN 4: brown
PIN 5: white

Wiring Diagrams

